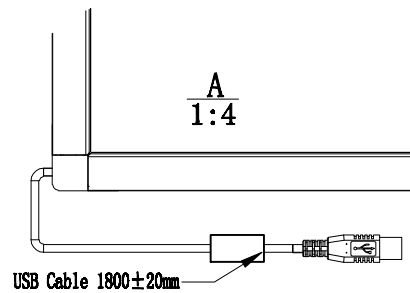
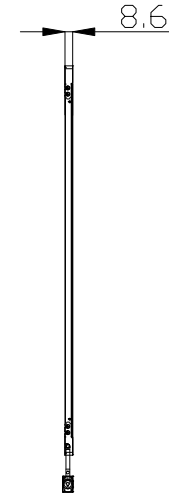
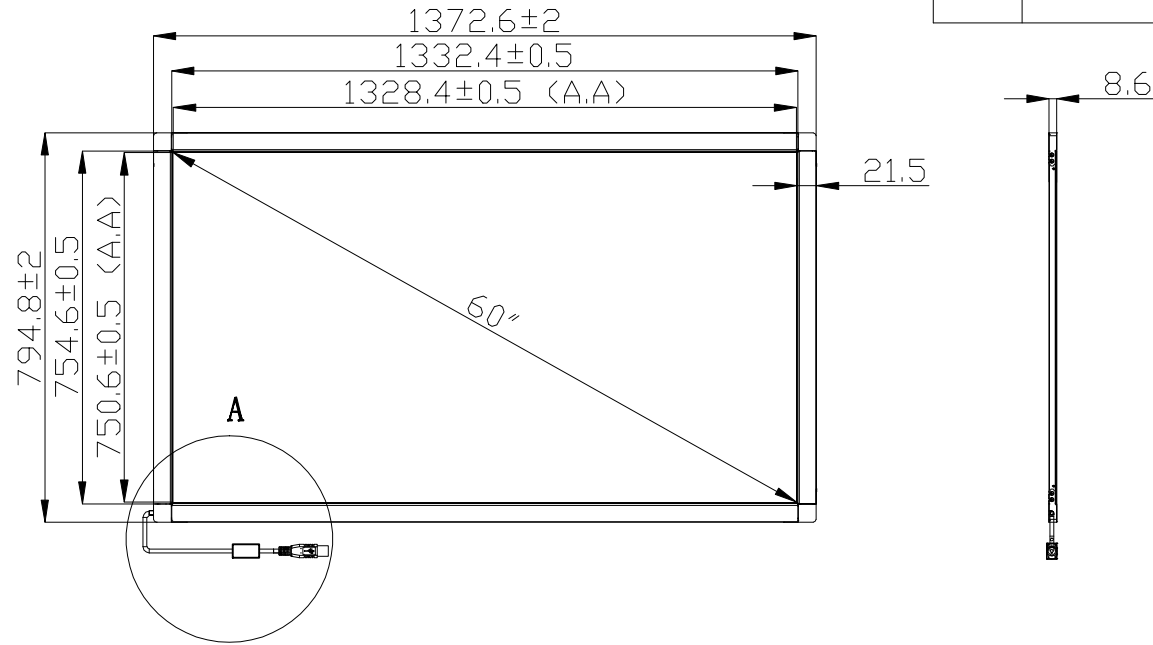


Rev.	design change reason	Date	Name
Ver 1.0	Release	2016/02/23	Damon



**Technical Requirements:**  
 1. Dimensionless Units: mm;  
 2. Accords with RoHS standard.

Tolerances		Pos.	Object	Material	Mass	Title
0 - 100mm	±0.3	±0.3	Projection	Drawn	Remarks	G6 Kit-60"
10 - 500mm	±0.5	±0.5		Check	Scale	
50 - 1000mm	±1.0	±1.5	Part No.	Drawing from	AS	Dwg. Nr.
1000 - 6m	±2.0	±3.0		Type	Date	
Angle	1° - ±2°		The information contained herein is confidential and proprietary, and any copying/redistribution of the information contained here is strictly prohibited without formal/written permission of PQ Labs Inc.			

**PQ Labs**