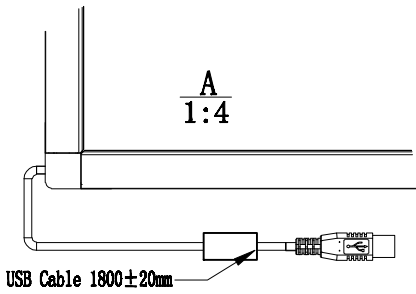
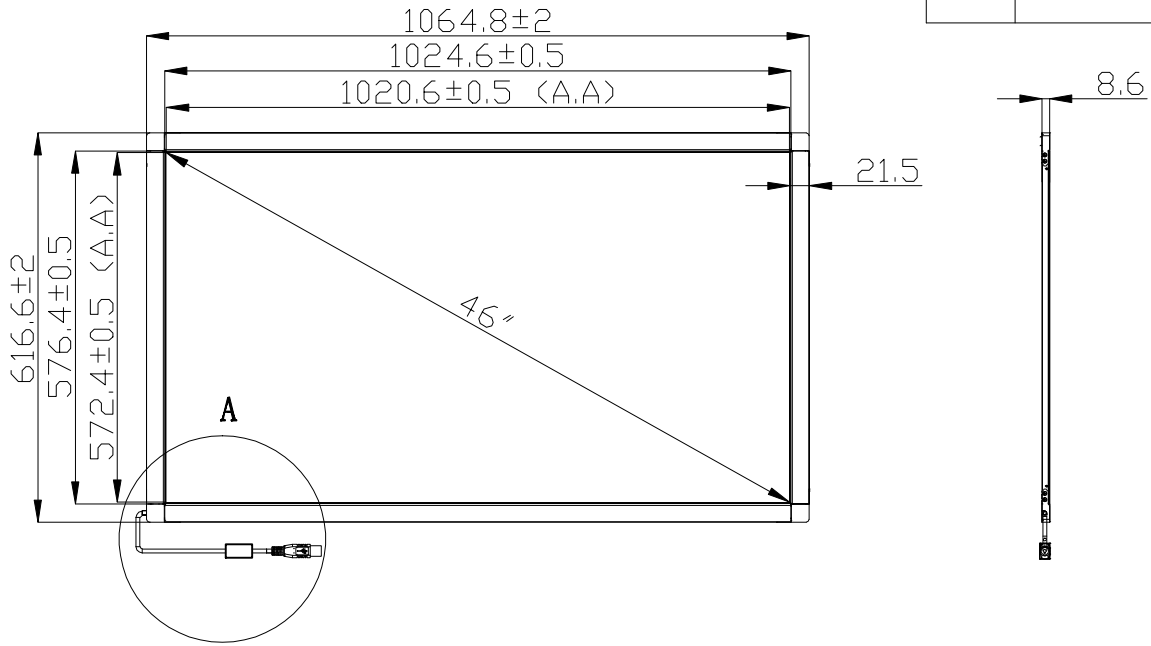


Rev.	design change reason	Date	Name
Ver 1.0	Release	2016/02/23	Damon



**Technical Requirements:**  
 1. Dimensionless Units: mm;  
 2. Accords with RoHS standard.

Tolerances		Pos.	Object	Material	Mass	Title
0 - 100mm	±0.3	±0.3	Projection	Drawn	Remarks	G6 Kit-46"
10 - 100mm	±0.3	±0.3		Check	Scale	
50 - 100mm	±0.3	±0.3	Part No.	Drawing from	AS	Dwg. Nr.
100 - 6mm	±0.3	±0.3		Type	Date	
Angle	1° ±0.2°		The information contained herein is confidential and proprietary, and any copying redistribution of the information contained here is strictly prohibited without formal/written permission of PQ Labs Inc.			

