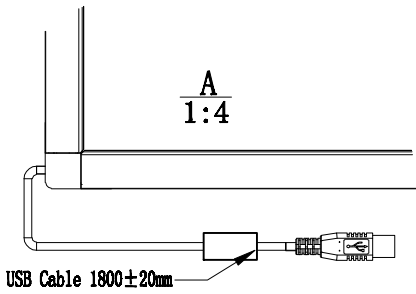
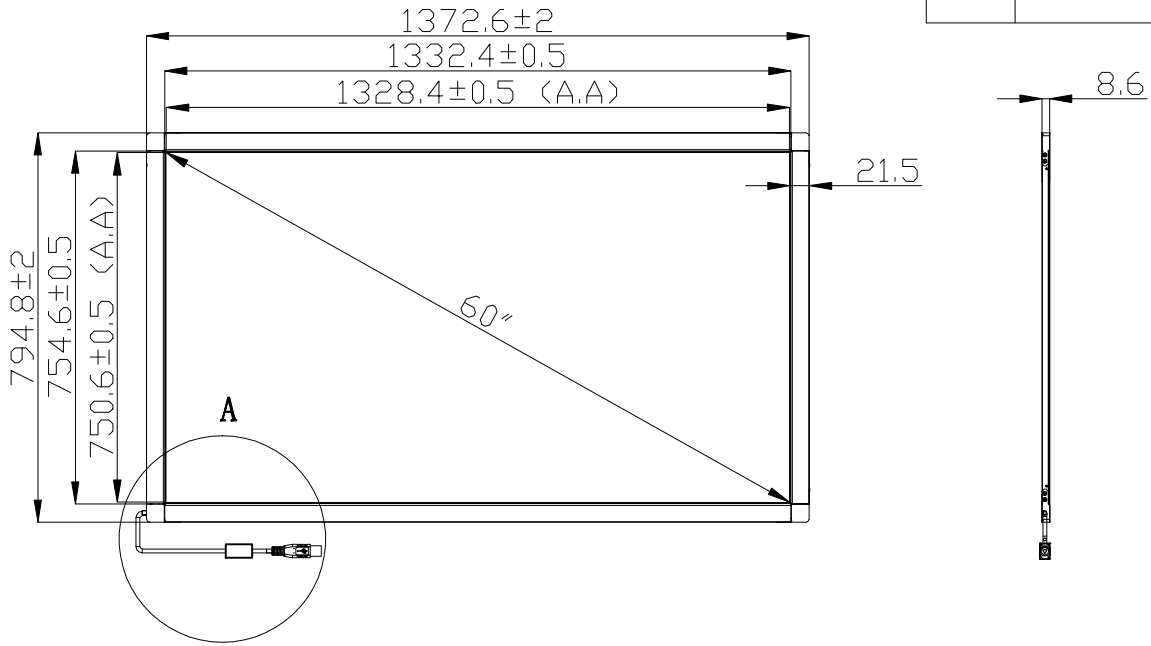


Rev.	design change reason	Date	Name
Ver 1.0	Release	2016/02/23	Damon



**Technical Requirements:**  
 1. Dimensionless Units: mm;  
 2. Accords with RoHS standard.

Tolerances		Pos.	Object	Material	Mass	Title
0 - 100µm	1.0, 3	1.0, 3	Projection	Drawn	Remarks	G6-60" Assembly
10 - 100µm	1.0, 6	1.0, 3		Check	Scale	
50 - 100µm	1.0, 6	1.0, 3	Type	Drawing from	AS	Dwg. Nr.
100 - 60µm	1.0, 6	1.0, 3		Part No.	Date	
Angle	1° - ±2°		The information contained herein is confidential and proprietary, and any copying/redistribution of the information contained here is strictly prohibited without formal/written permission of PQ Labs Inc.			

