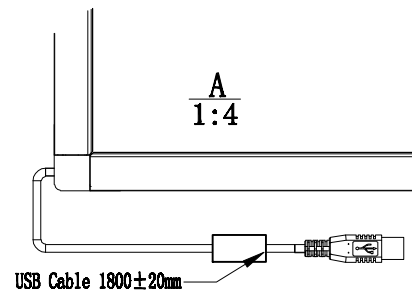
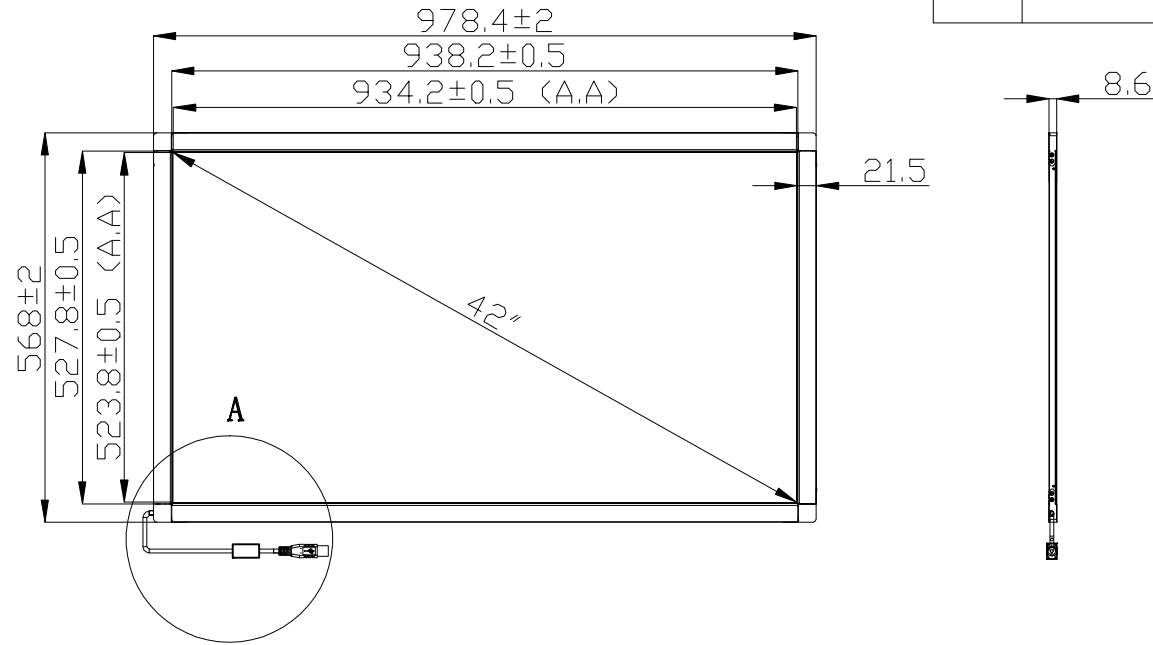


| Rev. | design change reason | Date | Name |
|---------|----------------------|------------|-------|
| Ver 1.0 | Release | 2016/02/23 | Damon |
| | | | |
| | | | |



Technical Requirements:
 1. Dimensionless Units: mm;
 2. Accords with RoHS standard.

| Tolerances | | Pos. | Object | Material | Mass | Title |
|------------|----------|------|---|--------------|---------|-----------------|
| 0 - 100µm | 10.8 | 10.8 | Projection | Drawn | Remarks | G6-42" Assembly |
| 10 - 100µm | 10.8 | 10.8 | | Check | Scale | |
| 50 - 100µm | 11.0 | 11.0 | Part No. | Drawing from | AS | Dwg. Nr. |
| 100 - 600 | 12.0 | 12.0 | | Type | Date | |
| Angle | 1° ±0.2° | | The information contained herein is confidential and proprietary, and any copying/redistribution of the information contained here is strictly prohibited without formal/written permission of PQ Labs Inc. | | | |

