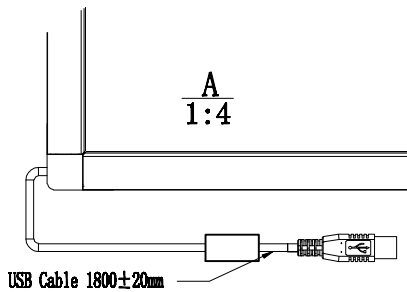
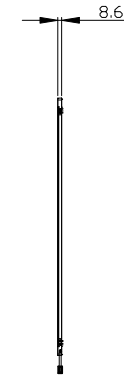
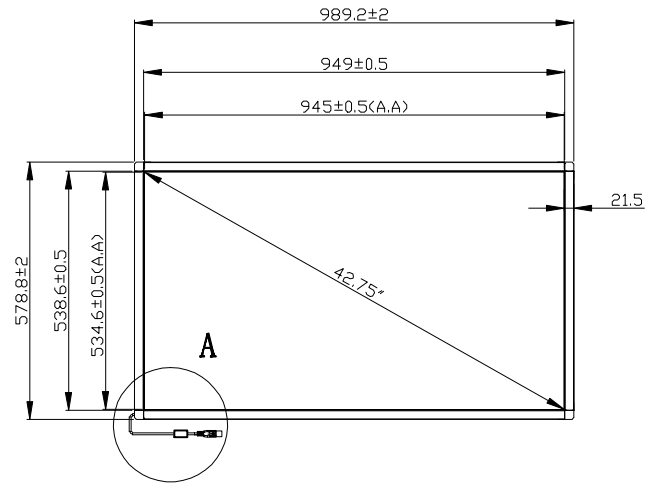


Rev.	design change reason	Date	Name
Ver 1.0	Release	2017/07/04	Damon



**Technical Requirements:**  
 1. Dimensionless Units: mm;  
 2. Accords with RoHS standard.

Tolerances	Pos.	Object	Material	Mass	Title
0 - 10Gmm	Grade A / Grade B	Projection	Drawn	Remarks	G2-15 Assembly
10 - 50Gmm	Qty.		Check	Scale	
50 - 100Gmm	Part No.		Type	Drawing from	AS
100 - 6mm	12.0	12.0	Date	Nr./sheet.	
Angle	1° ±0.2°	The information contained herein is confidential and proprietary, and any copying/redistribution of the information contained here is strictly prohibited without formal/written permission of PQ Labs Inc.			