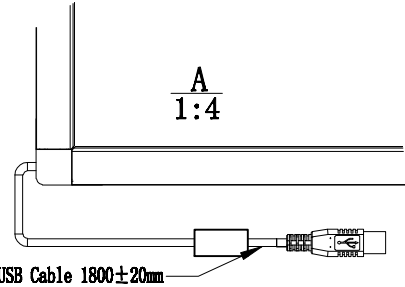
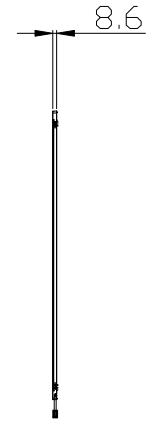
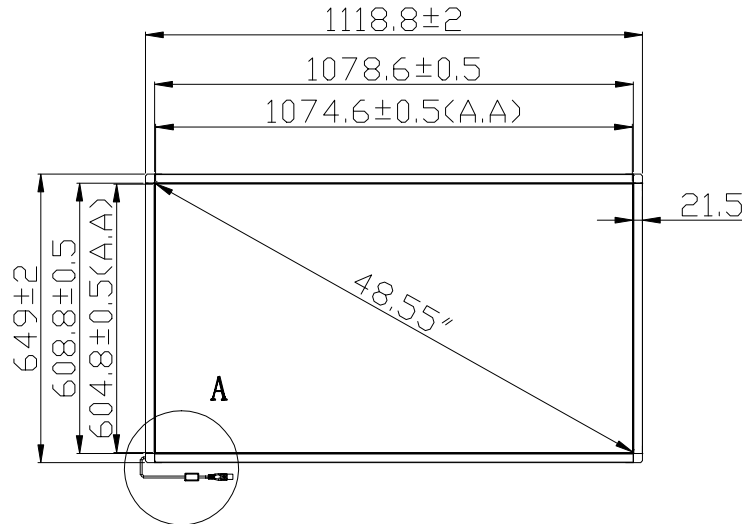


Rev.	design change reason	Date	Name
Ver 1.0	Release	2017/07/04	Damon



Technical Requirements:
 1. Dimensionless Units: mm;
 2. Accords with RoHS standard.

Tolerances	Pos.	Object	Material	Mass	Title
0 - 100µm	Grade A / Grade B	Projection	Drawn	Remarks	G6 Kit-48.55"
10 - 500µm	Qty.		Check	Scale	
50 - 1000µm	Part No.		Type	Drawing from	AS
100 - 6m	12.0	12.0	Date	Nr./sheet.	
Angle	1° ±0.2°	The information contained herein is confidential and proprietary, and any copying/redistribution of the information contained here is strictly prohibited without formal/written permission of PQ Labs Inc.			