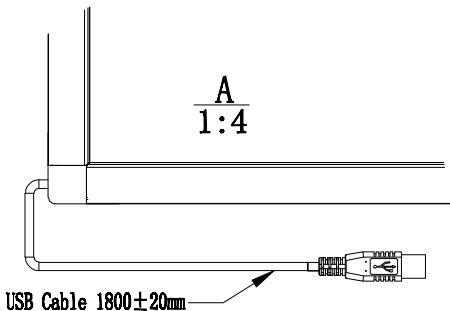
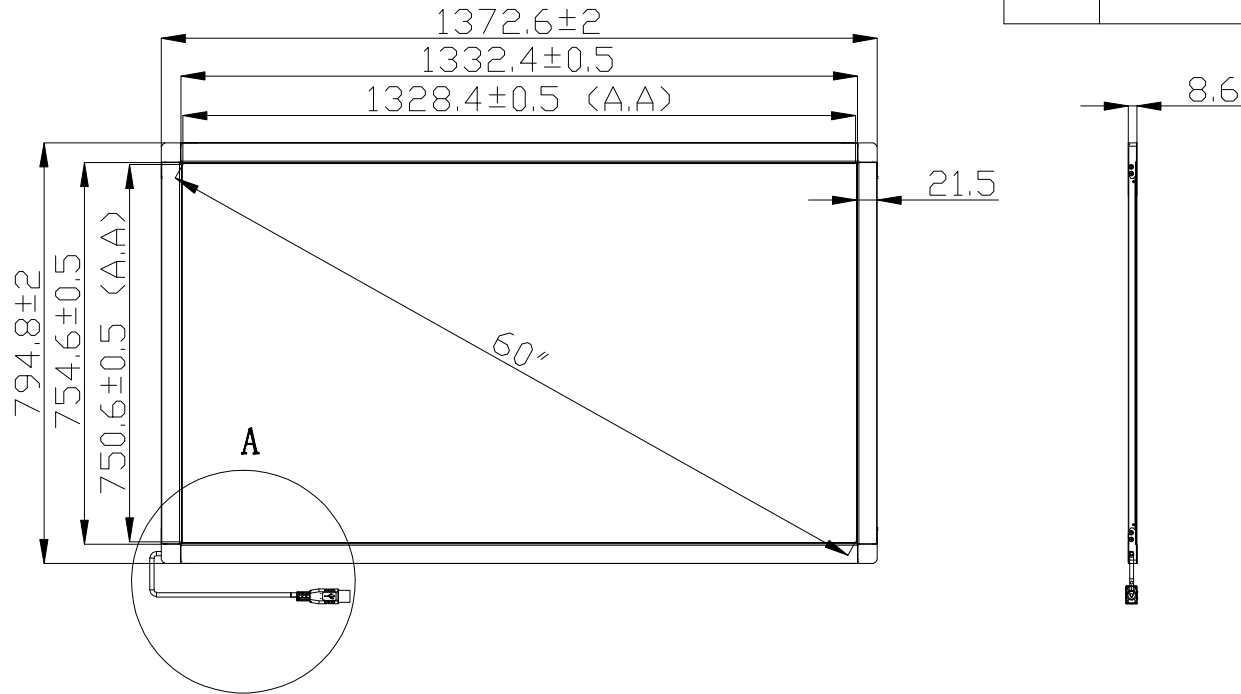


Rev.	design change reason	Date	Name
Ver 1.0	Release	2015/01/08	Damon



**Technical Requirements:**  
 1. Dimensionless Units: mm;  
 2. Accords with RoHS standard.

Tolerances	Pos.	Object	Material	Mass	Title
Grade A Grade B		Projection	Drawn	Remarks	G5-60" Assembly
0 ~ 10(mm)	±0.3 ±0.3	Qty.	Check	Scale	
10 ~ 30(mm)	±0.5 ±0.5		Drawing frame	AS	
30 ~ 100(mm)	±1.0 ±1.5	Part No.	Date	Nr./sheet.	PQ Labs
100 ~ 500	±2.0 ±3.0	The information contained herein is confidential and proprietary, and any copying redistribution of the information contained here is strictly prohibited without formal/written permission of PQ Labs Inc			
Angle	1° ~ ±2°				