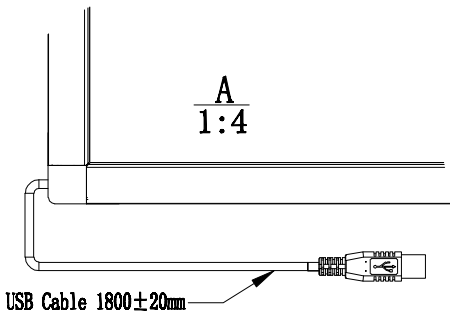
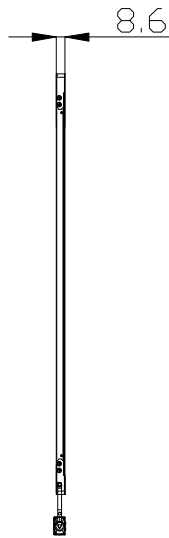
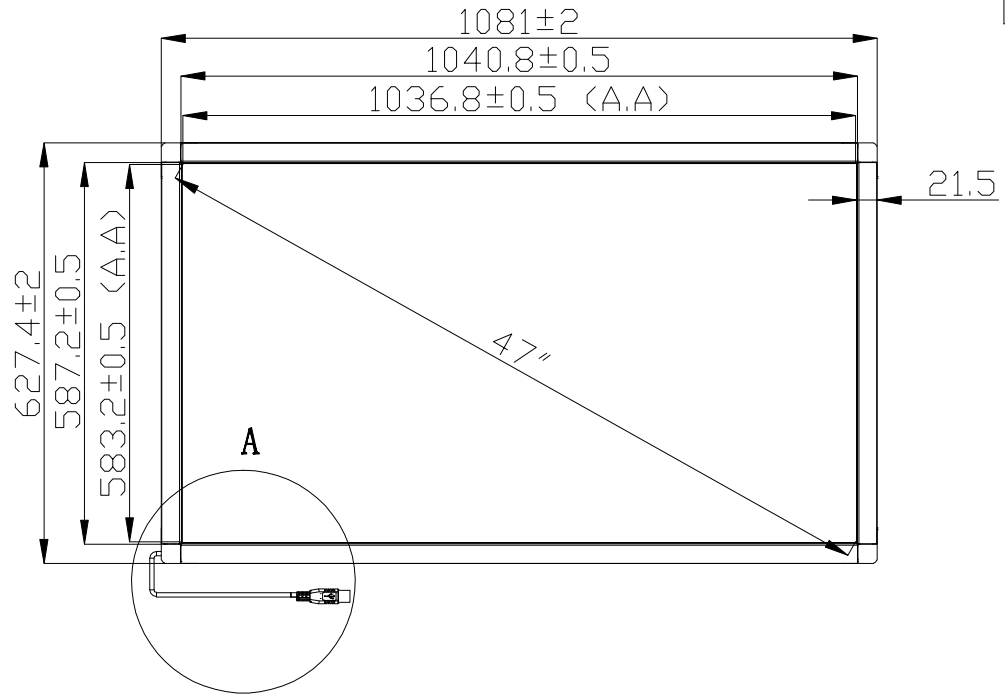


| Rev. | design change reason | Date | Name |
|---------|----------------------|------------|-------|
| Ver 1.0 | Release | 2015/01/08 | Damon |
| | | | |
| | | | |



A
1:4

Technical Requirements:
 1. Dimensionless Units: mm;
 2. Accords with RoHS standard.

| Tolerances | Pos. | Object | Material | Mass | Title |
|------------------------|--|---------------|----------|------------|-----------------|
| Grade A Grade B | Qty. | Projection | Drawn | Remarks | G5-47" Assembly |
| 0 ~ 10(mm) ±0.5 ±0.5 | | Check | Scale | | |
| 10 ~ 30(mm) ±1.0 ±1.0 | | Drawing frame | AS | | |
| 30 ~ 100(mm) ±1.0 ±1.5 | Part No. | Type | Date | Nr./sheet. | |
| 100 ~ (mm) ±2.0 ±3.0 | The information contained herein is confidential and proprietary, and any copying redistribution of the information contained here is strictly prohibited without formal/written permission of PQ Labs Inc | | | | |
| Angle 1° ~ ±2° | | | | | |