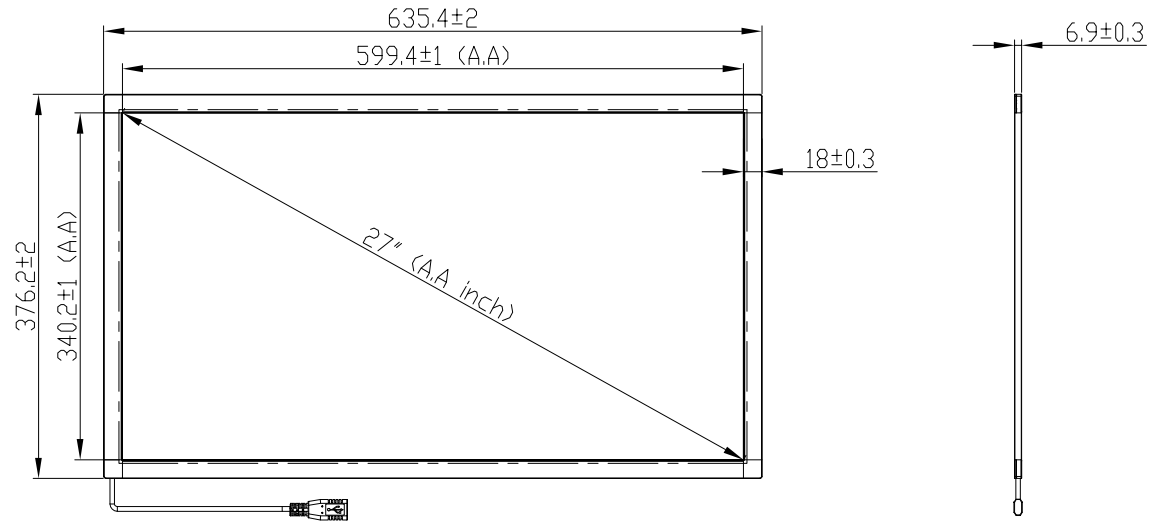


Rev.	design change reason	Date	Name
Ver 1.0	Release	2012/11/26	Nancy



Technical Requirements:

1. Dimensionless Units: mm;
2. Accords with RoHS standard.

Tolerances			Pos.	Object	Material	Mass	Title
0 ~ 10 (mm)	Grade A	Grade B	Qty.	Projection	Drawn	Remarks	G4S-27" Assembly
	$\pm 0.3$	$\pm 0.5$			Check	Scale	
10 ~ 30 (mm)	$\pm 0.5$	$\pm 0.8$	Part No.	Type	Drawing frame	A3	Dwg. Nr.
30 ~ 100 (mm)	$\pm 0.8$	$\pm 1.0$			Date	Nr./sheet.	
100 ~ (mm)	$\pm 1.0$	$\pm 1.5$	The information contained herein is confidential and proprietary, and any copying redistribution of the information contained here is strictly prohibited without formal/written permission of PQ Labs Inc.				
Angle	$\pm 0.2^\circ$						