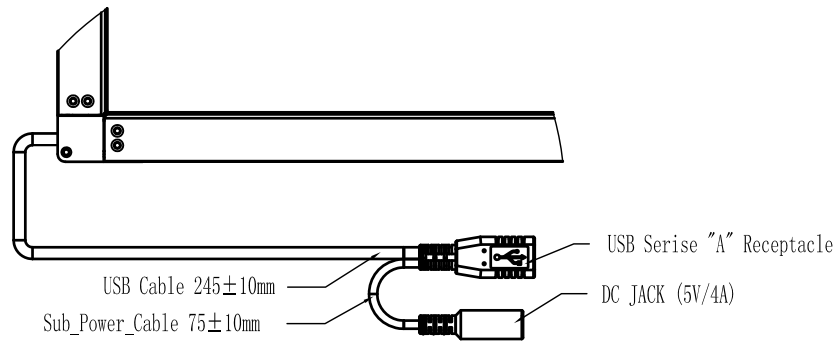
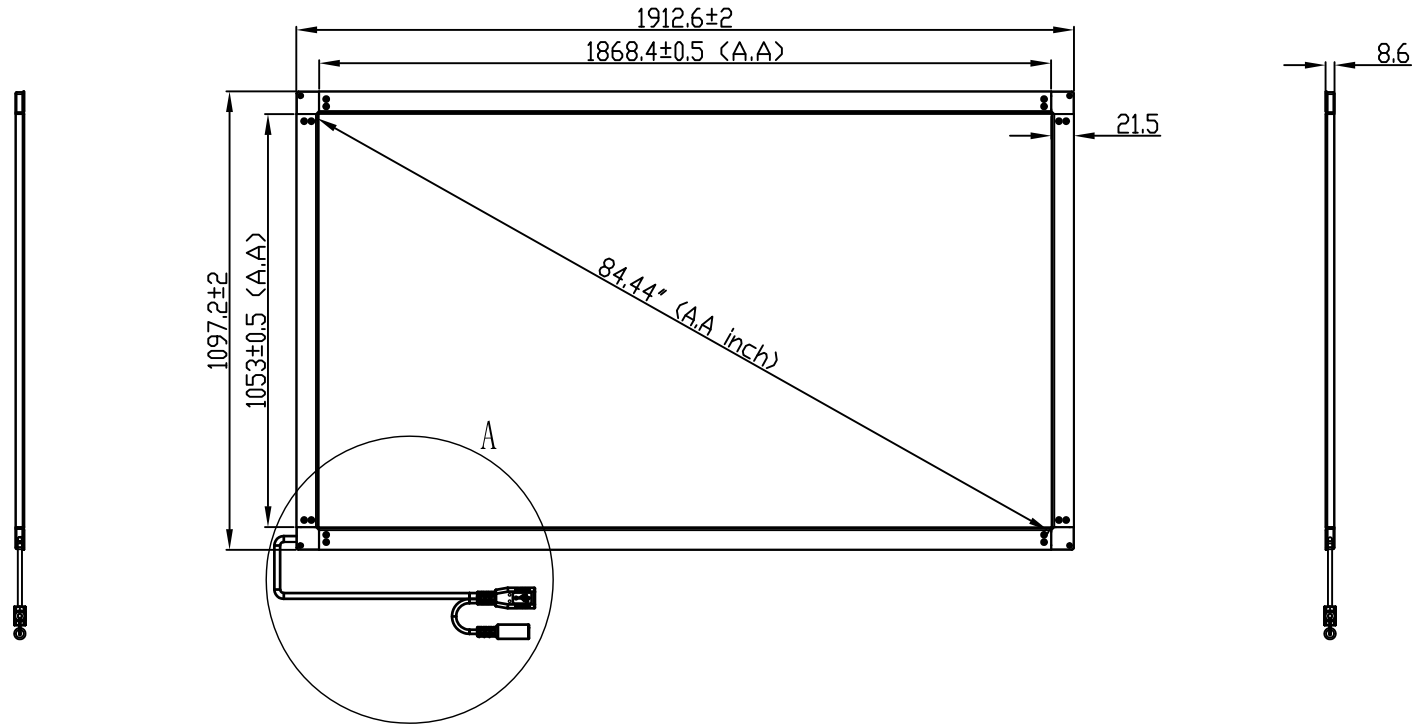


Rev.	design change reason	Date	Name
Ver 1.0	Release	2013/08/29	Nancy



Technical Requirements:
 1. Dimensionless Units: mm;
 2. Accords with RoHS standard.

Tolerances	Pos.	Object	Material	Mass	Title
0 ~ 10 (mm)	Grade A ±0.3	Projection 	Drawn	Remarks	G4 Kit V2-84.44" Assembly
10 ~ 50 (mm)	Grade B ±0.5		Check	Scale	
50 ~ 100 (mm)	±0.8	Part No.	Drawing frame	Dwg. Nr.	
100 ~ (mm)	±1.3		Date	Nr./sheet.	
Angle	±3.0 X° ±0.5°	The information contained herein is confidential and proprietary, and any copying redistribution of the information contained here is strictly prohibited without formal/written permission of PQ Labs Inc.			