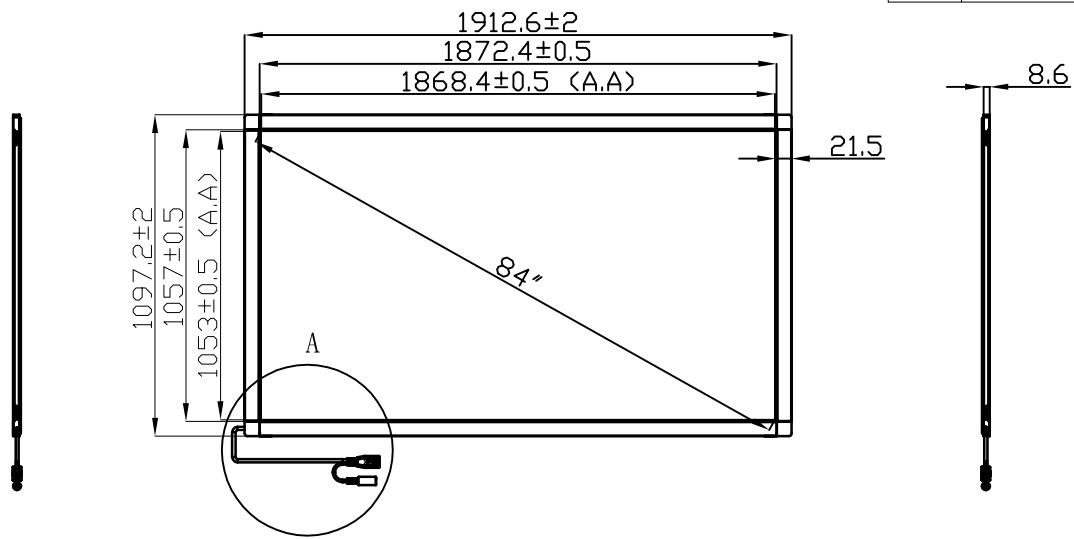
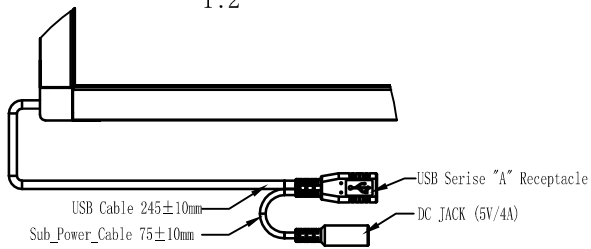


Rev.	design change reason	Date	Name
Ver 1.0	Release	2013/01/04	Nancy



A
1:2



Technical Requirements:
 1. Dimensionless Units: mm;
 2. Accords with RoHS standard.

Tolerances	Pos.	Object	Material	Mass	Unit	
±0.1mm	0.1	Projection	Drawn	Remarks	G4-84 Assembly	
±0.2mm	0.2	Qty.	Check	Scale		
±0.3mm	0.3		Projector frame	33	Dwg.Nr.	
±0.4mm	0.4	Part No.	Type	Date	Nr./sheet.	
±0.5mm	0.5	The information contained herein is confidential and proprietary, and any copies redistribution of the information contained here is strictly prohibited without formal/written permission of PQ Labs Inc.				
Angle	0°					