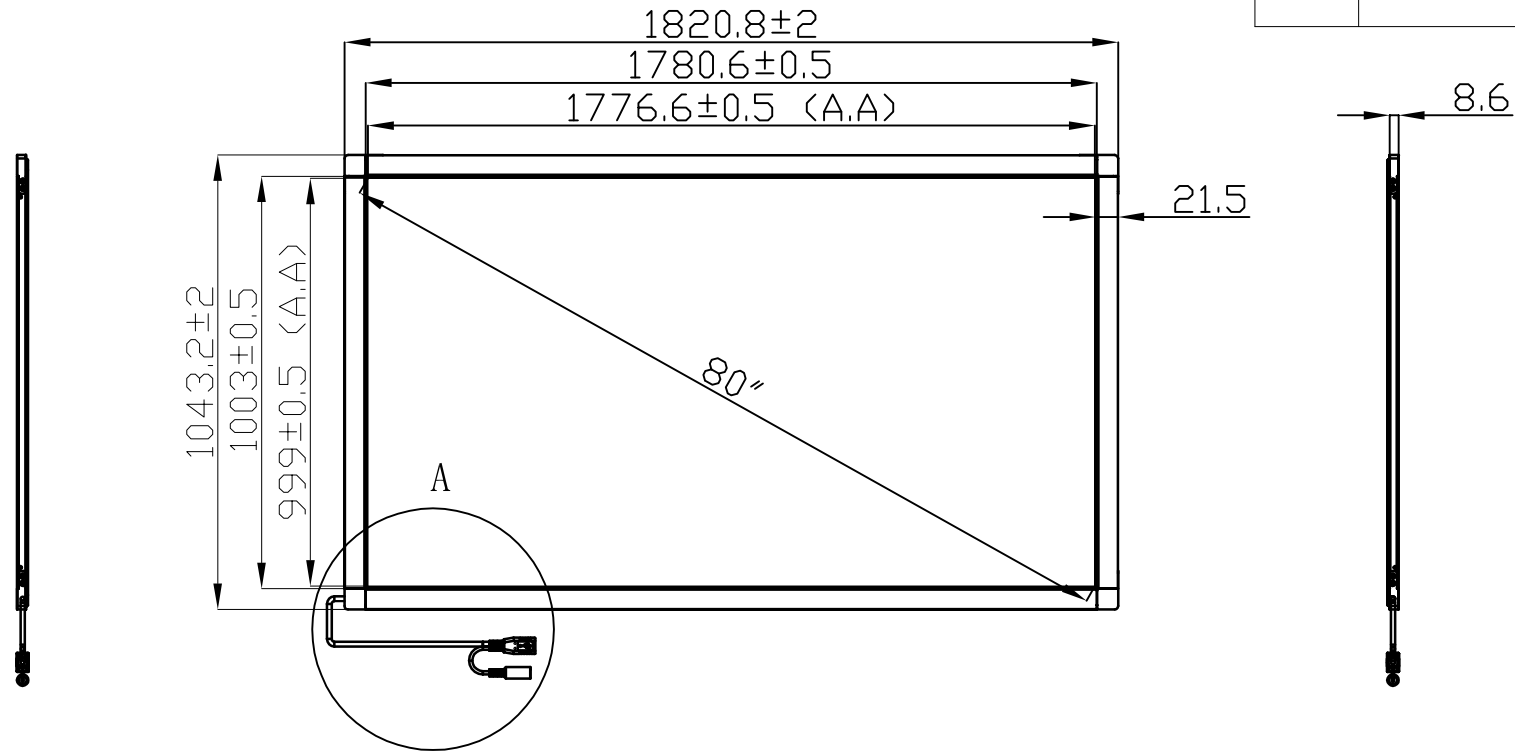
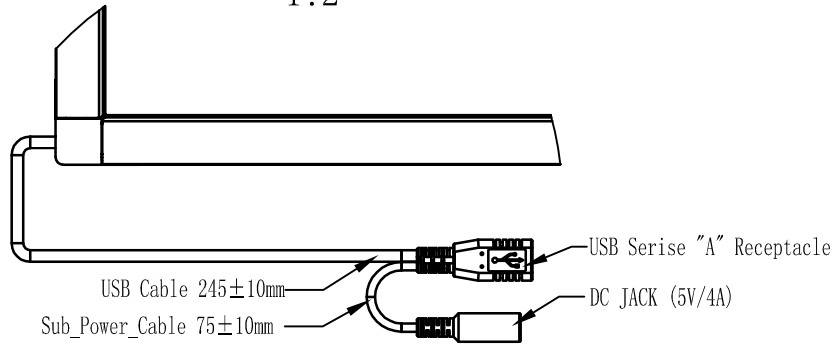


Rev.	design change reason	Date	Name
Ver 1.0	Release	2012/09/05	Nancy



$\frac{A}{1:2}$



Technical Requirements:  
 1. Dimensionless Units: mm;  
 2. Accords with RoHS standard.

Tolerances		Pos.	Object	Material	Mass	Title	
0 ~ 10 (mm)	Grade A ±0.3	Grade B ±0.5	Projection	Drawn	Remarks	G4-80" Assembly	
10 ~ 50 (mm)	±0.5	±0.8	Check	Check	Scale		
50 ~ 100 (mm)	±1.0	±1.5	Part No.	Drawing frame	A3		Dwg. Nr.
100 ~ (mm)	±2.0	±3.0	Type	Date	Nr./sheet.		<b>PQ Labs</b>
Angle	X° ±2°		The information contained herein is confidential and proprietary, and any copying redistribution of the information contained here is strictly prohibited without formal/written permission of PQ Labs Inc				